



Power Controller to 80A F Series



FEATURES:

- Solid State Relay Assemblies rated to 80A/pole @ 40° C (100% duty cycle)
- Replaces 80A 3 pole mercury contactors
- Zero cross switching standard
- Ball bearing fan standard; 50/60 hz
- 90°C over-temp cutout switch standard
- Relays & Fan: UL, CSA, VDE, CE
- Transient voltage suppression standard
- 600VAC available

OUTPUT SPECIFICATIONS	AC Control		DC Control	
	HBC-90AF2	HBC-90AF3	HBC-90DF2	HBC-90DF3
FAN OPTION (Add letter of Fan to end of above part #)	B-120VAC Fan		C - 240VAC Fan	I - 24VDC Fan
(EX: HBC-90AF2B - Denotes 3 Phase, 2 Pole, w/120VAC Fan)				
	3 Phase / 2 Pole	3 Phase / 3 Pole	3 Phase / 2 Pole	3 Phase / 3 Pole
Operating Voltage (47-63 Hz) [Vrms]	48-530	48-530	48-530	48-530
Load Current Range [Arms]	.04-80	.04-80	.04-80	.04-80
Transient Overvoltage [Vpk]	1200	1200	1200	1200
Max. Surge Current, (16.6ms) [Apk]	1200	1200	1200	1200
Max. On-State Voltage Drop [Vpk]	1.7	1.7	1.7	1.7
Max. Turn-on Time	10.0mS	10.0mS	1/2 cycle	1/2 cycle
Max. Turn-off Time	40.0mS	40.0mS	1/2 cycle	1/2 cycle
Max. I ² t for fusing (8.3mS)	6000	6000	12700	12700
Max. Off-State Leakage Current [mArms]	10	10	10	10
Power Factor (Min.) with Max. Load	0.5	0.5	0.5	0.5
INPUT SPECIFICATIONS				
Control Voltage Range	90-280Vrms (60Hz)		3-32Vdc	
Max. Turn-on Voltage	90Vrms		3.0Vdc	
Min. Turn-off Voltage	10Vrms		1.0Vdc	
Nominal Input Impedance [Ohms]	60K		See *	
Typical Input Current	2.2mA @ 120Vrms, 4.4mA @ 240Vrms		2.0mA *	

* Input circuitry incorporates active current limiter

INPUT OPTIONS (DC Control only)

Change HBC Prefix To: (Ex: HBC-125DF2B = LPC-125DF2B)

- TP Time proportioning controller (Burst Fire)
Input: 0-10VDC, 0-5VDC, 2-10VDC, 1-5VDC, 4-20mA, 0-20mA, Potentiometer, 0-135R (TP135 prefix)
(24VAC Power Supply Required)
- TPLP Loop powered time proportioning controller (Burst Fire)
Input: 4-20mA
- LPC Linear phase angle controller
Input: 0-10VDC, 0-5VDC, 2-10VDC, 1-5VDC, 4-20mA, 0-20mA, Potentiometer, 0-135R (TP135 prefix)
(24VAC Power Supply Required)

OPTIONS:

- D DIN Mount
- 10 Random turn-on
- WH Wiring harness for multi-pole configurations
- E 24VAC Control (AC input only)
- Z LED input status indicator (DC input only)
- M MOV - External transient voltage suppression
- P Internal transient voltage suppression
- CT Current Transducer

Also Available: Relay Monitoring Boards (See MB Spec Sheets)



Power Controller to 100A F Series



FEATURES:

- Solid State Relay Assemblies rated to 100A/pole @ 40° C (100% duty cycle)
- Replaces 100A 3 pole mercury contactors
- Zero cross switching standard
- Ball bearing fan standard; 50/60 hz
- 90°C over-temp cutout switch standard
- Relays & Fan: UL, CSA, VDE, CE
- Transient voltage suppression standard
- 600VAC available

OUTPUT SPECIFICATIONS	AC Control		DC Control	
	HBC-125AF2	HBC-125AF3	HBC-125DF2	HBC-125DF3
FAN OPTION (Add letter of Fan to end of above part #)	B-120VAC Fan		C - 240VAC Fan	I - 24VDC Fan
(EX: HBC-125AF2B - Denotes 3 Phase, 2 Pole, w/120VAC Fan)				
	3 Phase / 2 Pole	3 Phase / 3 Pole	3 Phase / 2 Pole	3 Phase / 3 Pole
Operating Voltage (47-63 Hz) [Vrms]	48-530	48-530	48-530	48-530
Load Current Range [Arms]	.04-100	.04-100	.04-100	.04-100
Transient Overvoltage [Vpk]	1200	1200	1200	1200
Max. Surge Current, (16.6ms) [Apk]	1750	1750	1750	1750
Max. On-State Voltage Drop [Vpk]	1.7	1.7	1.7	1.7
Max. Turn-on Time	10.0mS	10.0mS	1/2 cycle	1/2 cycle
Max. Turn-off Time	40.0mS	40.0mS	1/2 cycle	1/2 cycle
Max. I ² t for fusing (8.3mS)	12700	12700	12700	12700
Max. Off-State Leakage Current [mArms]	10	10	10	10
Power Factor (Min.) with Max. Load	0.5	0.5	0.5	0.5
INPUT SPECIFICATIONS				
Control Voltage Range	90-280Vrms (60Hz)		3-32Vdc	
Max. Turn-on Voltage	90Vrms		3.0Vdc	
Min. Turn-off Voltage	10Vrms		1.0Vdc	
Nominal Input Impedance [Ohms]	60K		See *	
Typical Input Current	2.2mA @ 120Vrms, 4.4mA @ 240Vrms		2.0mA *	

* Input circuitry incorporates active current limiter

INPUT OPTIONS (DC Control only)

Change HBC Prefix To: (Ex: HBC-125DF2B = LPC-125DF2B)

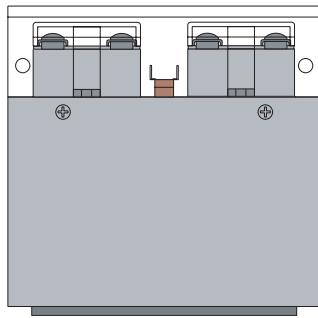
- TP Time proportioning controller (Burst Fire)
Input: 0-10VDC, 0-5VDC, 2-10VDC, 1-5VDC, 4-20mA, 0-20mA,
Potentiometer, 0-135R (TP135 prefix)
(24VAC Power Supply Required)
- TPLP Loop powered time proportioning controller (Burst Fire)
Input: 4-20mA
- LPC Linear phase angle controller
Input: 0-10VDC, 0-5VDC, 2-10VDC, 1-5VDC, 4-20mA, 0-20mA,
Potentiometer, 0-135R (TP135 prefix)
(24VAC Power Supply Required)

OPTIONS:

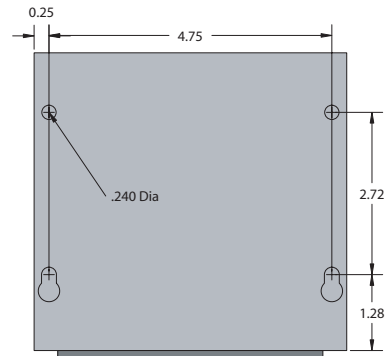
- D DIN Mount
- 10 Random turn-on
- WH Wiring harness for multi-pole configurations
- E 24VAC Control (AC input only)
- Z LED input status indicator (DC input only)
- M MOV - External transient voltage suppression
- P Internal transient voltage suppression
- CT Current Transducer

Also Available: Relay Monitoring Boards (See MB Spec Sheets)

Power Controller to 100A F Series



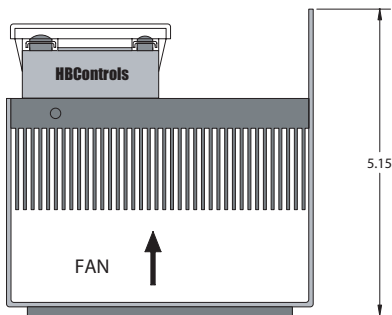
FRONT



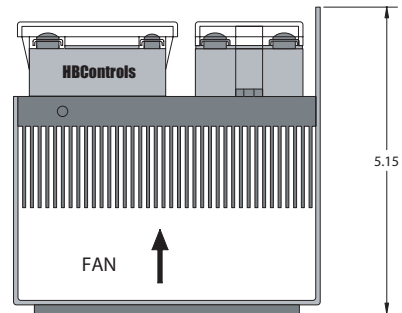
REAR

3 Phase /
2 Pole
Ex: HBC-125DF2B

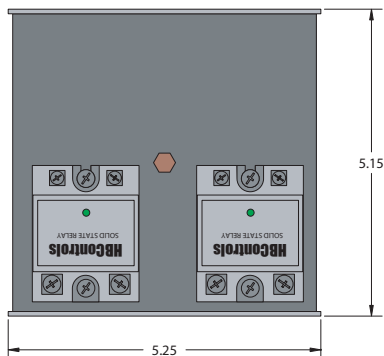
3 Phase /
3 Pole
Ex: HBC-125DF2B



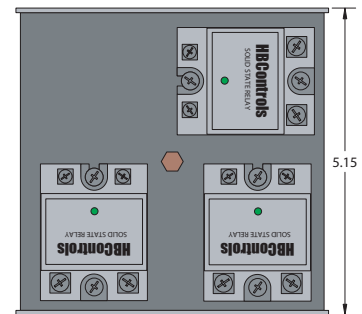
SIDE



SIDE



TOP



TOP